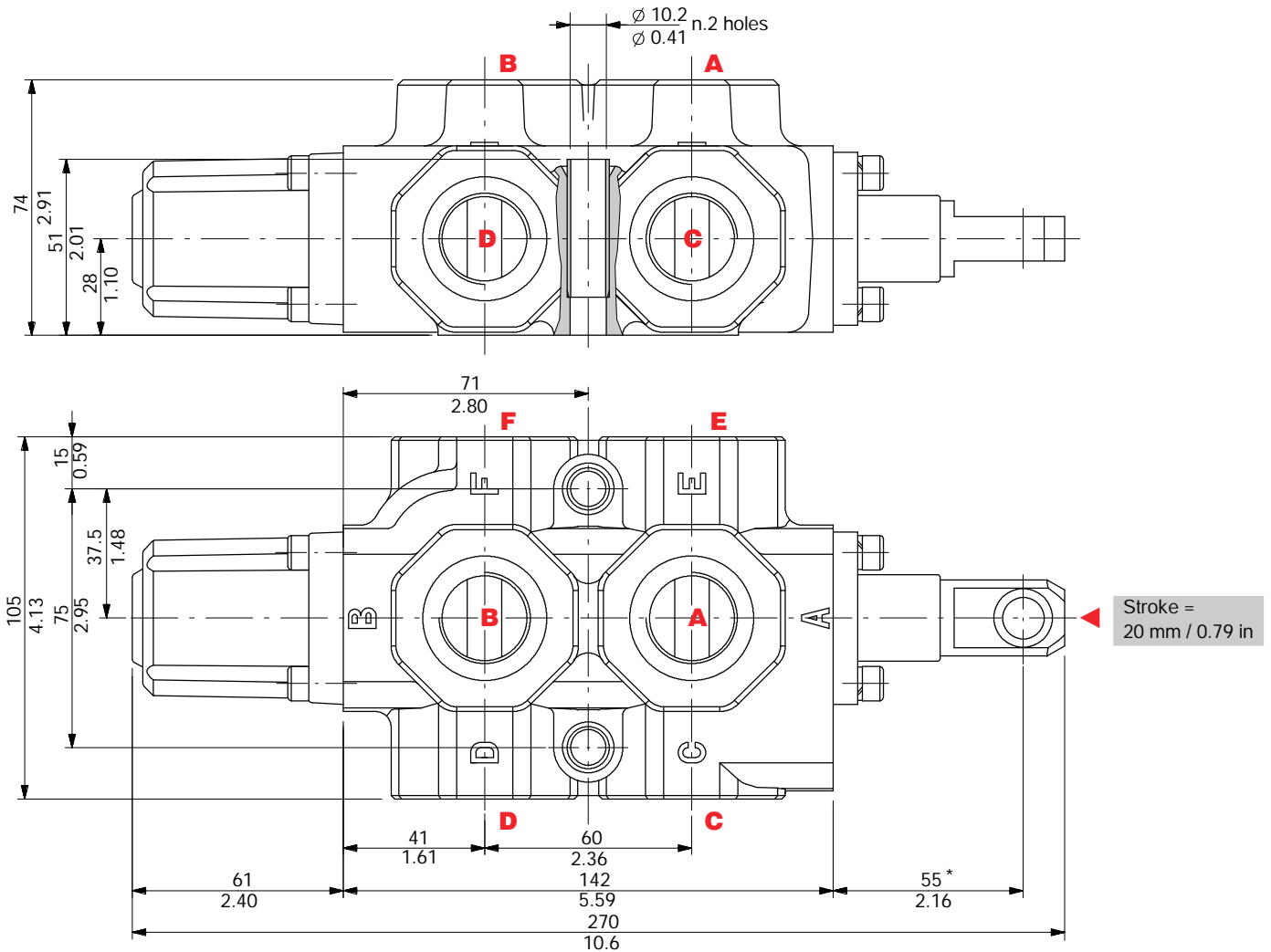
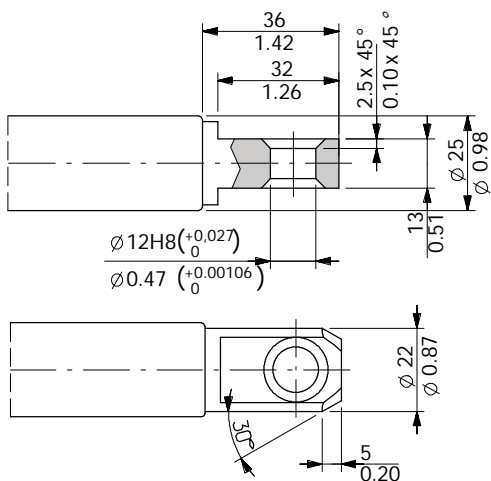


6-way DF20/6 valve

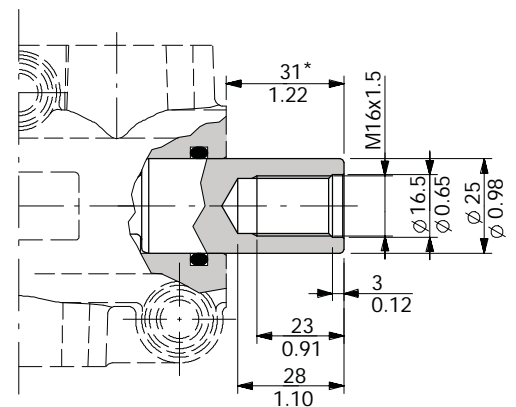


Spool end

Standard end



Rotary cam prearrangement

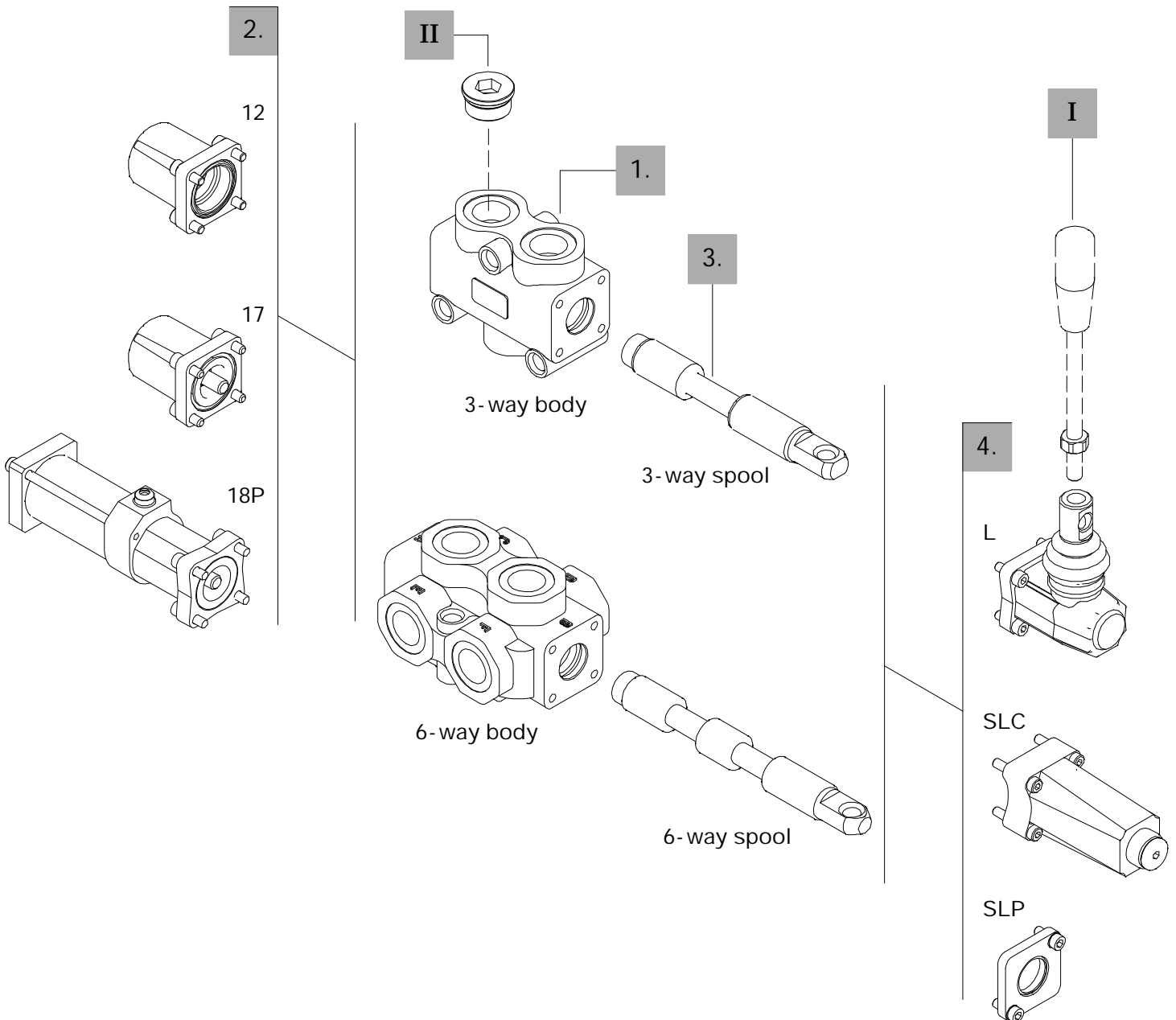


NOTA (*) - With spool out (positioner kit type 17)

Ordering codes

Description example

Diverter valve	DF20/3	A	17	SLP
	1.	3.	2.	4.



3-way
1. Body kit *

TYPE	CODE	DESCRIPTION
DF20/3	5CO2261300	Standard body kit

Include body and seals

3. Spool options

TYPE	CODE	DESCRIPTION
A	3CAS120310	3-way, 2 positions with ports connected in transit position
B	3CAS120410	3-way, 2 positions with ports closed in transit position
AC	3CAS120320	As type A prearranged for cam control
BC	3CAS120420	As type B prearranged for cam control

6-way
1. Body kit *

TYPE	CODE	DESCRIPTION
DF20/6	5CO2262300	Standard body kit

Include body and seals

3. Spool options

TYPE	CODE	DESCRIPTION
A	3CAS120610	6-way, 2 positions with ports connected in transit position
B	3CAS120710	6-way, 2 positions with ports closed in transit position
AC	3CAS120620	As type A prearranged for cam control
BC	3CAS120720	As type B prearranged for cam control

2. Positioner kits

page 36

TYPE	CODE	DESCRIPTION
12	5V12120000	Detent in positions 1 and 2
17	5V17120000	Spring return in position 1
18MB	5V18120000	Spring return in position 2
18P	5V18120700	ON/OFF pneumatic kit with spring return in position 2
18IA1	5V18120820*	ON/OFF high pressure hydraulic kit with spring return in position 2
18IB1	5V18120810*	ON/OFF low pressure hydraulic kit with spring return in position 2
18E11	5V18120350	12VDC ON/OFF electro-hydraulic kit with spring return in position 2
	5V18120351	24VDC ON/OFF electro-hydraulic kit with spring return in position 2

4. Comandi di azionamento

page 40

TYPE	CODE	DESCRIPTION
SLP	5COP120000	Without lever box with dust-proof plate kit
SLC	5COP220000	Without lever box with endcap
L	5LEV120000	Standard lever box
CB	5CAM120020	Cam control
IA2	5IDR520000*	ON/OFF high pressure hydraulic control
IB2	5IDR720000*	ON/OFF low pressure hydraulic control

I Optional handlever

TYPE	CODE	DESCRIPTION
AL01/M12x200	170013020	For lever L, height 200 mm / 7.87 in

II Ports plug

TYPE	CODE	DESCRIPTION
G3/4	3XTAP732200*	Body conversion from 3-way to 2-way circuit

NOTE (*) - Codes are referred to BSP thread.